

Certificate No.: 2531–CPR–CSC10015

Issue date: 2017-11-21



CERTIFICATE OF CONSTANCY OF PERFORMANCE

Issued by DBI Certification, notified body No. 2531.

In compliance with *Regulation 305/2011/EU of the European Parliament and of the Council of 9 March 2011* (the Construction Products Regulation or CPR), this certificate applies to the construction product

Gallows with mounted signboards type BS

Scope: Fixed vertical road traffic signs (ZA.6)

The product fulfils the essential characteristic:

See Annex 1

Intended use: Complete assemblies of fixed vertical road traffic signs, to be mounted at the top of a straight steel pipe

Placed on the market under the name or trade mark of:

INFRA Group Danmark ApS
Industrivej 27
5750 Ringe
Danmark

and produced in the manufacturing plant:

CPA30005

This certificate attests that all provisions concerning the assessment and verification of constancy of performance described in Annex ZA of the standards

EN 12899-1:2007 : **Fixed, vertical road traffic signs-Part 1: Fixed signs**

under system 1 for the performance set out in this certificate are applied and that the performance of the construction product is assessed to remain constant.

The attached annexes form part of this certificate.

Date of issue: **2017-11-21**.

This certificate will remain valid as long as neither the harmonized standard, the construction product, the AVCP methods nor the manufacturing conditions in the plant are modified significantly unless suspended or withdrawn by the notified product certification body.

This certificate was first issued 2017-11-21.

Handwritten signature of Per Lyster in blue ink.

Per Lyster
Responsible for evaluation

Handwritten signature of Merete Poulsen in blue ink.

Merete Poulsen
Responsible for certification decision

The certificate shall be reproduced in extenso
– extracts only with written permission from DBI Certification A/S.

DBI Certification A/S

Jernholmen 12, 2650 Hvidovre
Tlf.: 36 34 90 90

E-mail: info@dbicertification.dk
www.dbicertification.dk

The logo for DANAK, featuring a red crown icon above the word 'DANAK' in bold red capital letters.
Prod. Reg. Nr. 7023

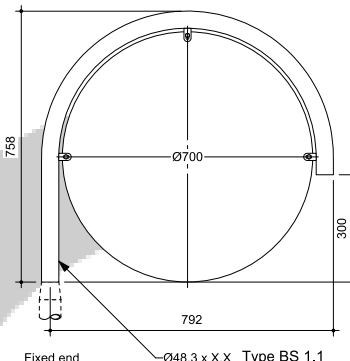
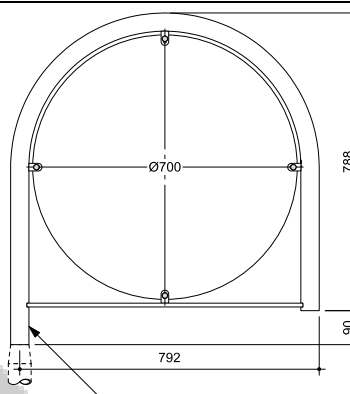
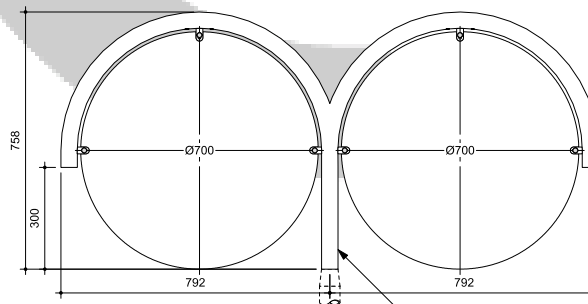
Version 2016-01-07
Page 1 of 11

Annex 1

EXTENT

Description and classification:

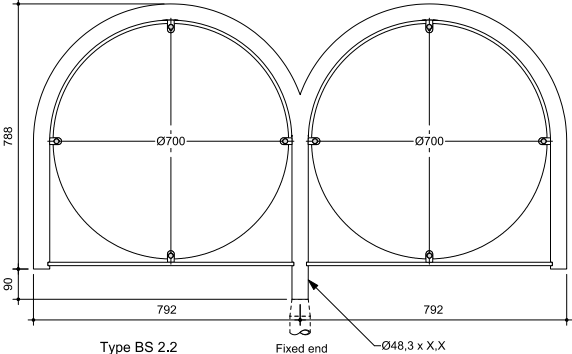
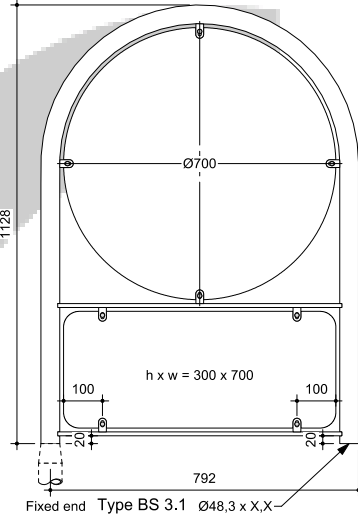
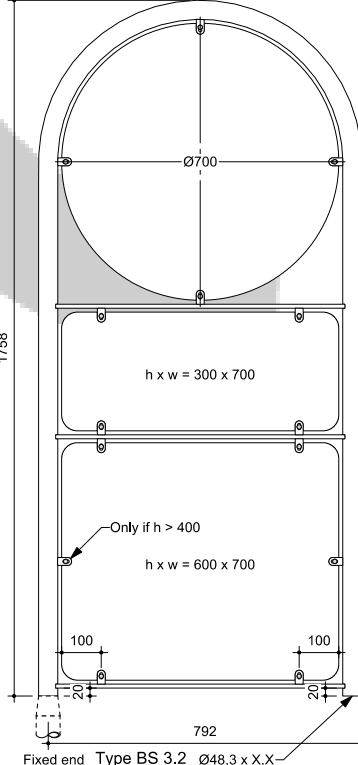
Sign sizes are maximum sizes (Ø, h and w)

Sizes of signboards and different types of gallows Pipes: Minimum steel quality: S235 in dimension Ø48,3 x 2,9, Ø48,3 x 3,0 and Ø48,3 x 3,2 mm Signboard: Minimum aluminium quality: R _{p0,2} = 180 MPa, min. 2 mm thickness	Classification according to wind load classes		
	Placed in WL1	Placed in WL2	Placed in WL3
 <p>Fixed end Ø48,3 x X,X Type BS 1.1</p>	<p>Signboard: PAF1, WL1, DSL0, PLO, TDB4, TDT0, P2, E1 and SP1.</p> <p>Gallows: PAF1, WL1, DSL0, PLO, TDB1, TDT4 and SP1.</p>	<p>Signboard: PAF1, WL2, DSL0, PLO, TDB5, TDT0, P2, E1 and SP1.</p> <p>Gallows: PAF1, WL2, DSL0, PLO, TDB1, TDT4 and SP1.</p>	<p>Signboard: PAF1, WL3, DSL0, PLO, TDB5, TDT0, P2, E1 and SP1.</p> <p>Gallows: PAF1, WL3, DSL0, PLO, TDB1, TDT5 and SP1.</p>
 <p>Fixed end Ø48,3 x X,X Type BS 1.2</p>	-	<p>Signboard: PAF1, WL2, DSL0, PLO, TDB3, TDT0, P2, E1 and SP1.</p> <p>Gallows: PAF1, WL2, DSL0, PLO, TDB1, TDT4 and SP1.</p>	<p>Signboard: PAF1, WL3, DSL0, PLO, TDB4, TDT0, P2, E1 and SP1.</p> <p>Gallows: PAF1, WL3, DSL0, PLO, TDB2, TDT4 and SP1.</p>
 <p>Type BS 2.1 Fixed end Ø48,3 x X,X</p>	<p>Signboard: PAF1, WL1, DSL0, PLO, TDB4, TDT0, P2, E1 and SP1.</p> <p>Gallows: PAF1, WL1, DSL0, PLO, TDB1, TDT4 and SP1.</p>	<p>Signboard: PAF1, WL2, DSL0, PLO, TDB5, TDT0, P2, E1 and SP1.</p> <p>Gallows: PAF1, WL2, DSL0, PLO, TDB1, TDT4, and SP1.</p>	<p>Signboard: PAF1, WL3, DSL0, PLO, TDB5, TDT0, P2, E1 and SP1.</p> <p>Gallows: PAF1, WL3, DSL0, PLO, TDB2, TDT4 and SP1.</p>

The certificate shall be reproduced in extenso
 – extracts only with written permission from DBI Certification A/S.

Certificate No.: 2531-CPR-CSC10015

Issue date: 2017-11-21

 <p>Type BS 2.2 Fixed end Ø48,3 x X.X</p>		<p>Signboard: PAF1, WL2, DSL0, PL0, TDB3, TDT0, P2, E1 and SP1.</p> <p>Gallows: PAF1, WL2, DSL0, PL0, TDB1, TDT3 and SP1.</p>	<p>Signboard: PAF1, WL3, DSL0, PL0, TDB4, TDT0, P2, E1 and SP1.</p> <p>Gallows: PAF1, WL3, DSL0, PL0, TDB2, TDT4 and SP1.</p>
 <p>Type BS 3.1 Fixed end Ø48,3 x X.X</p>	<p>Circular signboard: PAF1, WL1, DSL0, PL0, TDB3, TDT0, P2, E1 and SP1.</p> <p>300 x 700 mm signboard: PAF1, WL1, DSL0, PL0, TDB3, TDT0, P2, E1 and SP1.</p> <p>Gallows: PAF1, WL1, DSL0, PL0, TDB1, TDT4 and SP1.</p>	<p>Circular signboard: PAF1, WL2, DSL0, PL0, TDB3, TDT0, P2, E1 and SP1.</p> <p>300 x 700 mm signboard: PAF1, WL2, DSL0, PL0, TDB3, TDT0, P2, E1 and SP1.</p> <p>Gallows: PAF1, WL2, DSL0, PL0, TDB2, TDT4 and SP1.</p>	<p>Circular signboard: PAF1, WL3, DSL0, PL0, TDB3, TDT0, P2, E1 and SP1.</p> <p>300 x 700 mm signboard: PAF1, WL3, DSL0, PL0, TDB3, TDT0, P2, E1 and SP1.</p> <p>Gallows: PAF1, WL3, DSL0, PL0, TDB2, TDT5 and SP1.</p>
 <p>Type BS 3.2 Fixed end Ø48,3 x X.X</p>	<p>Circular signboard: PAF1, WL1, DSL0, PL0, TDB3, TDT0, P2, E1 and SP1.</p> <p>300 x 700 mm signboard: PAF1, WL1, DSL0, PL0, TDB3, TDT0, P2, E1 and SP1.</p> <p>600 x 700 mm signboard: PAF1, WL1, DSL0, PL0, TDB3, TDT0, P2, E1 and SP1.</p> <p>Gallows: PAF1, WL1, DSL0, PL0, TDB3, TDT5 and SP1.</p>	<p>Signboard: PAF1, WL2, DSL0, PL0, TDB3, TDT0, P2, E1 and SP1.</p> <p>300 x 700 mm signboard: PAF1, WL2, DSL0, PL0, TDB3, TDT0, P2, E1 and SP1.</p> <p>600 x 700 mm signboard: PAF1, WL2, DSL0, PL0, TDB4, TDT0, P2, E1 and SP1.</p> <p>Gallows: PAF1, WL2, DSL0, PL0, TDB3, TDT6 and SP1.</p>	

The certificate shall be reproduced in extenso
– extracts only with written permission from DBI Certification A/S.

DBI Certification A/S

Jernholmen 12, 2650 Hvidovre
Tlf.: 36 34 90 90

E-mail: info@dbicertification.dk
www.dbicertification.dk

Certificate No.: 2531–CPR–CSC10015

Issue date: 2017-11-21



Fixings: 0913		Pass. The signs, sizes and gallows are intended for mounting at the top of another straight steel pipe. Together the gallows and the straight steel is the support for the sign.			
Performance under vehicle impact		NPD To be declared on the support			
ORALITE® 5710 Engineering Grade: Retroreflective sheeting ORALITE® 5710 Engineering Grade with the following original dyed colours:					
Colour	Name of product	Visibility characteristics		Durability	
		Daylight Chromaticity & luminance factor 4.1.1.3. For black colours: 7.2.2.1.3	Coefficient of retroreflection 4.1.1.4	Impact resistance 4.1.2.	Resistance to weathering 4.1.1.5. For black colours: 7.2.2.1.4
White	ORALITE® 5710-010 Engineering Grade	CR2	RA1	pass	pass
Yellow	ORALITE® 5710-020 Engineering Grade	CR2	RA1	pass	pass
Red	ORALITE® 5710-030 Engineering Grade	CR2	RA1	pass	pass
Blue	ORALITE® 5710-050 Engineering Grade	CR2	RA1	pass	pass
Green	ORALITE® 5710-060 Engineering Grade	CR2	RA1	pass	pass
Orange	ORALITE® 5710-035 Engineering Grade	CR1	RA1	pass	pass
Brown	ORALITE® 5710-080 Engineering Grade	CR2	RA1	pass	pass
Retroreflective sheeting ORALITE® 5710 engineering Grade with the following Lettering Film:					
Black	ORALITE® 5071-070 Lettering Film	NR1	-	pass	pass
Retroreflective sheeting ORALITE® 5710 engineering Grade with the following screen printing colours:					
Yellow	ORALITE® 5018-020 Screen Printing ink	CR2	RA1	pass	pass
red	ORALITE® 5018-030 Screen Printing ink	CR2	RA1	pass	pass
blue	ORALITE® 5018-050 Screen Printing ink	CR2	RA1	pass	pass
Green	ORALITE® 5018-060 Screen Printing ink	CR2	RA1	pass	pass
black	ORALITE® 5018-070 Screen Printing ink	NR1	-	pass	pass

The certificate shall be reproduced in extenso
 – extracts only with written permission from DBI Certification A/S.



DBI Certification A/S

Jernholmen 12, 2650 Hvidovre
 Tlf.: 36 34 90 90

E-mail: info@dbicertification.dk
 www.dbicertification.dk

Version 2016-01-07
 Page 4 of 11

Certificate No.: 2531-CPR-CSC10015

Issue date: 2017-11-21



Digital printing colours:						
The digital printing is processed on white retroreflective sheeting with the digital printing system AGFA ANAPURNA M2050 High-Speed-UV-Inkjet-System and is to be laminated with the transparent laminate ORALITE [®] 5062-000 Transparent Film.						
Digital Printing Colour ORALITE[®] 5019 UV Digital Printing Ink						
On white sheeting	ORALITE [®] 5710-010 Engineering Grade and					
White	ORALITE [®] 5062-000 Transparent Film	CR2	RA1	pass	pass	
Yellow	ORALITE [®] 5019-020 UV Digital Printing Ink and ORALITE [®] 5062-000 Transparent Film	CR2	RA1	pass	pass	
Red	ORALITE [®] 5019-030 UV Digital Printing Ink and ORALITE [®] 5062-000 Transparent Film	CR2	RA1	pass	pass	
Blue	ORALITE [®] 5019-050 UV Digital Printing Ink and ORALITE [®] 5062-000 Transparent Film	CR2	RA1	pass	pass	
Green	ORALITE [®] 5019-060 UV Digital Printing Ink and ORALITE [®] 5062-000 Transparent Film	CR2	RA1	pass	pass	
Grey	ORALITE [®] 5019-625 UV Digital Printing Ink and ORALITE [®] 5062-000 Transparent Film	CR2	RA1	pass	pass	
Black	ORALITE [®] 5019-070 UV Digital Printing Ink and ORALITE [®] 5062-000 Transparent Film	NR1	-	pass	pass	
If the colour black is printed solely, this material combination is admitted to be used without the transparent laminate.						
Black	ORALITE [®] 5019-070 UV Digital Printing Ink	NR1	-	pass	pass	
Digital printing colour ORALITE[®] 5019i UV Digital Printing Ink						
On white sheeting	ORALITE [®] 5710-010 Engineering Grade and					
White	ORALITE [®] 5062-000 Transparent Film	CR2	RA1	pass	pass	
Yellow	ORALITE [®] 5019i-020 UV Digital Printing Ink and ORALITE [®] 5062-000 Transparent Film	CR2	RA1	pass	pass	
Red	ORALITE [®] 5019i-030 UV Digital Printing Ink and ORALITE [®] 5062-000 Transparent Film	CR2	RA1	pass	pass	
Blue	ORALITE [®] 5019i-050 UV Digital Printing Ink and ORALITE [®] 5062-000 Transparent Film	CR2	RA1	pass	pass	
Green	ORALITE [®] 5019i-060 UV Digital Printing Ink and ORALITE [®] 5062-000 Transparent Film	CR2	RA1	pass	pass	
Orange	ORALITE [®] 5019i-035 UV Digital Printing Ink and ORALITE [®] 5062-000 Transparent Film	CR1	RA1	pass	pass	
Brown	ORALITE [®] 5019i-080 UV Digital Printing Ink and ORALITE [®] 5062-000 Transparent Film	CR2	RA1	pass	pass	
Black	ORALITE [®] 5019i-070 UV Digital Printing Ink and ORALITE [®] 5062-000 Transparent Film	NR1	-	pass	pass	
Clear protective overlay film:						

The certificate shall be reproduced in extenso
– extracts only with written permission from DBI Certification A/S.



DBI Certification A/S

Jernholmen 12, 2650 Hvidovre
Tlf.: 36 34 90 90

E-mail: info@dbicertification.dk
www.dbicertification.dk

Version 2016-01-07
Page 5 of 11

Certificate No.: 2531–CPR–CSC10015

Issue date: 2017-11-21



Clear protective overlay films (Anti-Graffiti) are always admitted in combination with retroreflective sheeting and a colouring process.					
Anti-Graffiti:					
The original dyed retroreflective sheeting with the screen-printing ORALITE® 5018 is accepted to be laminated with the clear protective overlay film ORALITE® 5095 Anti-Graffiti Film for the following colours:					
Original dyed retroreflective sheeting ORALITE® 5710 Engineering Grade with screen-printing ORALITE® 5018					
Red	ORALITE® 5018-030 Screen Printing Ink and ORALITE® 5095 Anti-Graffiti Film	CR2	RA1	pass	pass
Blue	ORALITE® 5018-050 Screen Printing Ink and ORALITE® 5095 Anti-Graffiti Film	CR2	RA1	pass	pass
Black	ORALITE® 5018-070 Screen Printing Ink and ORALITE® 5095 Anti-Graffiti Film	NR1	-	pass	pass
ORALITE® 5810 High Intensity Grade:					
Retroreflective sheeting ORALITE® 5810 High Intensity Grade with the following original dyed colours:					
Colour	Name of product	Visibility characteristics		Durability	
		Daylight Chromaticity & luminance factor 4.1.1.3. For black colours: 7.2.2.1.3	Coefficient of retroreflection 4.1.1.4	Impact resistance 4.1.2.	Resistance to weathering 4.1.1.5. For black colours: 7.2.2.1.4
White	ORALITE® 5810-010 High Intensity Grade	CR2	RA2	pass	pass
Yellow	ORALITE® 5810-020 High Intensity Grade	CR2	RA2	pass	pass
Red	ORALITE® 5810-030 High Intensity Grade	CR2	RA2	pass	pass
Blue	ORALITE® 5810-050 High Intensity Grade	CR2	RA2	pass	pass
Green	ORALITE® 5810-060 High Intensity Grade	CR2	RA2	pass	pass
Brown	ORALITE® 5810-080 High Intensity Grade	CR2	RA2	pass	pass
Retroreflective sheeting ORALITE® 5810 High Intensity Grade with the following Lettering Film:					
Black	ORALITE® 5081-070 Lettering Film	NR1	-	pass	pass
Retroreflective sheeting ORALITE® 5810 High Intensity Grade with the following Coloured Laminates:					
Yellow	ORALITE® 5061-020 Transparent Film	CR2	RA2	pass	pass
Red	ORALITE® 5061-030 Transparent Film	CR2	RA2	pass	pass
Blue	ORALITE® 5061-050 Transparent Film	CR2	RA2	pass	pass
Green	ORALITE® 5061-060 Transparent Film	CR2	RA2	pass	pass
Brown	ORALITE® 5061-080 Transparent Film	CR2	RA2	pass	pass
Dark Green	ORALITE® 5061-625 Transparent Film	CR1	RA2	pass	pass
Retroreflective sheeting ORALITE® 5810 High Intensity Grade with the following Screen Printing					

The certificate shall be reproduced in extenso
– extracts only with written permission from DBI Certification A/S.



DBI Certification A/S

Jernholmen 12, 2650 Hvidovre
Tlf.: 36 34 90 90

E-mail: info@dbicertification.dk
www.dbicertification.dk

Version 2016-01-07
Page 6 of 11

Certificate No.: 2531–CPR–CSC10015

Issue date: 2017-11-21



Colours:					
Yellow	ORALITE [®] 5018-020 Screen Printing Ink	CR2	RA2	pass	pass
Red	ORALITE [®] 5018-030 Screen Printing Ink	CR2	RA2	pass	pass
Blue	ORALITE [®] 5018-050 Screen Printing Ink	CR2	RA2	pass	pass
Green	ORALITE [®] 5018-060 Screen Printing Ink	CR2	RA2	pass	pass
Black	ORALITE [®] 5018-070 Screen Printing Ink	NR1	-	pass	pass
Digital Printing Colours:					
Digital Printing Colour ORALITE[®] 5019 UV Digital Printing Ink					
The digital printing is processed on white retroreflective sheeting with the digital printing system AGFA ANAPURNA M2050 High-Speed-UV-Inkjet-System and is to be laminated with a transparent laminate.					
Digital Printing with protective laminate ORALITE[®] 5061-000 Transparent Film					
On white sheeting and	ORALITE [®] 5810-010 High Intensity Grade				
White	ORALITE [®] 5061-000 Transparent Film	CR2	RA2	pass	pass
Yellow	ORALITE [®] 5019-020 UV Digital Printing Ink and ORALITE [®] 5061-000 Transparent Film	CR2	RA2	pass	pass
Red	ORALITE [®] 5019-030 UV Digital Printing Ink and ORALITE [®] 5061-000 Transparent Film	CR2	RA2	pass	pass
Blue	ORALITE [®] 5019-050 UV Digital Printing Ink and ORALITE [®] 5061-000 Transparent Film	CR2	RA2	pass	pass
Green	ORALITE [®] 5019-060 UV Digital Printing Ink and ORALITE [®] 5061-000 Transparent Film	CR2	RA2	pass	pass
Brown	ORALITE [®] 5019-080 UV Digital Printing Ink and ORALITE [®] 5061-000 Transparent Film	CR2	RA2	pass	pass
Dark Green	ORALITE [®] 5019-625 UV Digital Printing Ink and ORALITE [®] 5061-000 Transparent Film	CR2	RA2	pass	pass
Grey	ORALITE [®] 5019-073 UV Digital Printing Ink and ORALITE [®] 5061-000 Transparent Film	CR2	RA2*	pass	pass
*Coefficient of retroreflection: Value for printed colours 70% of RA2					
Black	ORALITE [®] 5019-070 UV Digital Printing Ink and ORALITE [®] 5061-000 Transparent Film	NR1	-	pass	pass
Digital Printing with protective laminate ORALITE[®] 5090 Anti-Dew Film:					

The certificate shall be reproduced in extenso
– extracts only with written permission from DBI Certification A/S.



DBI Certification A/S

Jernholmen 12, 2650 Hvidovre
Tlf.: 36 34 90 90

E-mail: info@dbicertification.dk
www.dbicertification.dk

Version 2016-01-07
Page 7 of 11

Certificate No.: 2531–CPR–CSC10015

Issue date: 2017-11-21



On white sheeting	ORALITE [®] 5810-010 High Intensity Grade and				
White	ORALITE [®] 5090 Anti-Dew Film	CR2	RA2	pass	pass
Yellow	ORALITE [®] 5019-020 UV Digital Printing Ink and ORALITE [®] 5090 Anti-Dew Film	CR2	RA2	pass	pass
Red	ORALITE [®] 5019-030 UV Digital Printing Ink and ORALITE [®] 5090 Anti-Dew Film	CR2	RA2	pass	pass
Blue	ORALITE [®] 5019-050 UV Digital Printing Ink and ORALITE [®] 5090 Anti-Dew Film	CR2	RA2*	pass	pass
Green	ORALITE [®] 5019-060 UV Digital Printing Ink and ORALITE [®] 5090 Anti-Dew Film	CR2	RA2*	pass	pass
Brown	ORALITE [®] 5019-080 UV Digital Printing Ink and ORALITE [®] 5090 Anti-Dew Film	CR2	RA2	pass	pass
Dark Green	ORALITE [®] 5019-625 UV Digital Printing Ink and ORALITE [®] 5090 Anti-Dew Film	CR2	RA2	pass	pass
Grey	ORALITE [®] 5019-073 UV Digital Printing Ink and ORALITE [®] 5090 Anti-Dew Film	CR2	RA2	pass	pass
*Coefficient of retroreflection: Value for printed colours 70% of RA2					
Black	ORALITE [®] 5019-070 UV Digital Printing Ink and ORALITE [®] 5090 Anti-Dew Film	NR1	-	pass	pass
Digital Printing with protective laminate ORALITE[®] 5095 Anti-Graffiti Film:					
On white sheeting	ORALITE [®] 5810-010 High Intensity Grade and				
White	ORALITE [®] 5095 Anti-Graffiti Film	CR2	RA2	pass	pass
Yellow	ORALITE [®] 5019-020 UV Digital Printing Ink and ORALITE [®] 5095 Anti-Graffiti Film	CR2	RA2	pass	pass
Red	ORALITE [®] 5019-030 UV Digital Printing Ink and ORALITE [®] 5095 Anti-Graffiti Film	CR2	RA2	pass	pass
Blue	ORALITE [®] 5019-050 UV Digital Printing Ink and ORALITE [®] 5095 Anti-Graffiti Film	CR2	RA2*	pass	pass
Green	ORALITE [®] 5019-060 UV Digital Printing Ink and ORALITE [®] 5095 Anti-Graffiti Film	CR2	RA2*	pass	pass
Braun	ORALITE [®] 5019-080 UV Digital Printing Ink and ORALITE [®] 5095 Anti-Graffiti Film	CR2	RA2	pass	pass
Grey	ORALITE [®] 5019-073 UV Digital Printing Ink and ORALITE [®] 5095 Anti-Graffiti Film	CR2	RA2	pass	pass
*Coefficient of retrorefelction: Value for printed colours 70% of RA2					
Black	ORALITE [®] 5019-070 UV Digital Printing Ink and ORALITE [®] 5095 Anti-Graffiti Film	NR1	-	pass	pass
If the colour Black is printed solely, this material combination is admitted to be used without the transparent laminate					
Black	ORALITE [®] 5019-070 UV Digital Printing Ink	NR1	-	pass	pass
Digital Printing Colour ORALITE[®] 5019i UV Digital Printing Ink:					

The certificate shall be reproduced in extenso
– extracts only with written permission from DBI Certification A/S.



DBI Certification A/S

Jernholmen 12, 2650 Hvidovre
Tlf.: 36 34 90 90

E-mail: info@dbicertification.dk
www.dbicertification.dk

Version 2016-01-07
Page 8 of 11

Certificate No.: 2531–CPR–CSC10015

Issue date: 2017-11-21



The digital printing is processed on white retroreflective sheeting with the digital printing system AGFA ANAPURNA M2050 High-Speed-UV-Inkjet-System and is to be laminated with the transparent laminate ORALITE® 5061-000 Transparent Film					
On white sheeting	ORALITE® 5810-010 High Intensity Grade and				
White	ORALITE® 5061-000 Transparent Film	CR2	RA2	pass	pass
Yellow	ORALITE® 5019i-020 UV Digital Printing Ink and ORALITE® 5061-000 Transparent Film	CR2	RA2	pass	pass
Red	ORALITE® 5019i-030 UV Digital Printing Ink and ORALITE® 5061-000 Transparent Film	CR2	RA2	pass	pass
Blue	ORALITE® 5019i-050 UV Digital Printing Ink and ORALITE® 5061-000 Transparent Film	CR2	RA2	pass	pass
Green	ORALITE® 5019i-060 UV Digital Printing Ink and ORALITE® 5061-000 Transparent Film	CR2	RA2	pass	pass
Brown	ORALITE® 5019i-080 UV Digital Printing Ink and ORALITE® 5061-000 Transparent Film	CR2	RA2	pass	pass
Dark Green	ORALITE® 5019i-625 UV Digital Printing Ink and ORALITE® 5061-000 Transparent Film	CR2	RA2	pass	pass
Grey	ORALITE® 5019i-073 UV Digital Printing Ink and ORALITE® 5061-000 Transparent Film	CR2	RA2	pass	pass
Black	ORALITE® 5019i-070 UV Digital Printing Ink and ORALITE® 5061-000 Transparent Film	NR1	-	pass	pass
Clear overlay film with special function:					
Clear overlay films with special function (anti-dew and anti-graffiti) are always admitted in combination with a dyed sheeting and a colouring process.					
Anti Dew:					
The dyed sheeting and the combination with coloured laminates is accepted to be processed with the clear overlay film anti-dew function ORALITE® 5090 Anti-Dew film for the following colours:					
Dyed Retroreflective Sheeting:					
White	ORALITE® 5810-010 High Intensity Grade and ORALITE® 5090 Anti-Dew film	CR2	RA2	pass	pass
Yellow	ORALITE® 5810-020 High Intensity Grade and ORALITE® 5090 Anti-Dew film	CR2	RA2	pass	pass
Red	ORALITE® 5810-030 High Intensity Grade and ORALITE® 5090 Anti-Dew film	CR2	RA2	pass	pass
Blue	ORALITE® 5810-050 High Intensity Grade and ORALITE® 5090 Anti-Dew film	CR2	RA2	pass	pass
Dyed Retroreflective Sheeting ORALITE® 5810 High Intensity Grade with Coloured Laminate:					
Yellow	ORALITE® 5061-020 Transparent Film and ORALITE® 5090 Anti-Dew film	CR2	RA2	pass	pass
Red	ORALITE® 5061-030 Transparent Film and ORALITE® 5090 Anti-Dew film	CR2	RA2	pass	pass
Blue	ORALITE® 5061-050 Transparent Film and ORALITE® 5090 Anti-Dew film	CR2	RA2	pass	pass
Dyed Retroreflective Sheeting ORALITE® 5810 High Intensity Grade with Lettering film:					

The certificate shall be reproduced in extenso
– extracts only with written permission from DBI Certification A/S.



DBI Certification A/S

Jernholmen 12, 2650 Hvidovre
Tlf.: 36 34 90 90

E-mail: info@dbicertification.dk
www.dbicertification.dk

Version 2016-01-07
Page 9 of 11

Certificate No.: 2531–CPR–CSC10015

Issue date: 2017-11-21



Black	ORALITE [®] 5081-070 Lettering Film and ORALITE [®] 5090 Anti-Dew film	NR1	-	pass	pass
Anti-Graffiti:					
The dyed sheeting and the combination with coloured laminates is accepted to be processed with the clear overlay film with anti-graffiti function ORALITE [®] 5095 Anti Graffiti Film for the following colours.					
Dyed Retroreflective Sheeting:					
White	ORALITE [®] 5810-010 High Intensity Grade and ORALITE [®] 5095 Anti-Graffiti Film	CR2	RA2	pass	pass
Yellow	ORALITE [®] 5810-020 High Intensity Grade and ORALITE [®] 5095 Anti-Graffiti Film	CR2	RA2	pass	pass
Red	ORALITE [®] 5810-030 High Intensity Grade and ORALITE [®] 5095 Anti-Graffiti Film	CR2	RA2	pass	pass
Blue	ORALITE [®] 5810-050 High Intensity Grade and ORALITE [®] 5095 Anti-Graffiti Film	CR2	RA2	pass	pass
Dyed Retroreflective Sheeting ORALITE[®] 5810 High Intensity Grade with Coloured Laminate:					
Yellow	ORALITE [®] 5061-020 Transparent Film and ORALITE [®] 5095 Anti-Graffiti Film	CR2	RA2	pass	pass
Red	ORALITE [®] 5061-030 Transparent Film and ORALITE [®] 5095 Anti-Graffiti Film	CR2	RA2	pass	pass
Blue	ORALITE [®] 5061-050 Transparent Film and ORALITE [®] 5095 Anti-Graffiti Film	CR2	RA2	pass	pass
Dyed Retroreflective Sheeting ORALITE[®] 5810 High Intensity Grade with Lettering Film:					
Black	ORALITE [®] 5081-070 Lettering Film and ORALITE [®] 5095 Anti-Graffiti Film	NR1	-	pass	pass
External illumination:					
mean illuminance,				NPD	
uniformity of illuminance				NPD	
Corrosion resistance					
Steel pipes and fins				SP1 The pipe and fins are after manufacturing hot dip galvanized to a minimum of 60µm	
Screws, nuts and washers				SP2 Minimum A2, Class 70	
Aluminium plate				SP1 Laquered Al-plate on exposed side if any	
Resistance to penetration of dust and water				The product can not be provided with compartments for electrical equipment	

The certificate shall be reproduced in extenso
– extracts only with written permission from DBI Certification A/S.



DBI Certification A/S

Jernholmen 12, 2650 Hvidovre
Tlf.: 36 34 90 90

E-mail: info@dbicertification.dk
www.dbicertification.dk

Version 2016-01-07
Page 10 of 11

Certificate No.: 2531–CPR–CSC10015

Issue date: 2017-11-21



Annex 2

TECHNICAL BASIS

Title	Date
Infra Goup Danmark ApS Calculation of minor traffic signs (ITC) Type BS, upper part Ø48,3 x 2,9, Ø48,3 x 3,0, and Ø48,3 x 3.2 mm steel pipes.	September 2016
Orafol Retroreflective Sheeting Oralite [®] 5710 Engineering grade: 0913-CPD-2009/001 Annex	2009-03-17 2016-03-31
Orafol Retroreflective Sheeting Oralite [®] 5810 High Intensity grade: 0913-CPD-2009/035 Annex	2012-06-27 2016-03-31

The certificate shall be reproduced in extenso
– extracts only with written permission from DBI Certification A/S.

DBI Certification A/S

Jernholmen 12, 2650 Hvidovre
Tlf.: 36 34 90 90

E-mail: info@dbicertification.dk
www.dbicertification.dk



Version 2016-01-07
Page **11** of **11**