

# Certificate No.: 2531–CPR–CSC10023

Issue date: 2018-05-02



## CERTIFICATE OF CONSTANCY OF PERFORMANCE

Issued by DBI Certification, notified body No. 2531.

In compliance with *Regulation 305/2011/EU of the European Parliament and of the Council of 9 March 2011* (the Construction Products Regulation or CPR), this certificate applies to the construction product

### Gallows Type LG

Scope: Fixed vertical road traffic signs (ZA.6)

The product fulfils the essential characteristic:

#### See Annex 1

Intended use: Complete assemblies of fixed vertical road traffic signs.  
The signs and gallows are intended for mounting at ground level

Placed on the market under the name or trade mark of:

**Infra Group Danmark ApS**  
**Industrivej 27**  
**5750 Ringe**  
**Denmark**

and produced in the manufacturing plant:

**CPA30005**

This certificate attests that all provisions concerning the assessment and verification of constancy of performance described in Annex ZA of the standards

**EN 12899-1:2007** : **Fixed, vertical road traffic signs-Part 1: Fixed signs**

under system 1 for the performance set out in this certificate are applied and that the performance of the construction product is assessed to remain constant.

The attached annexes form part of this certificate.

Date of issue: **2018-05-02**.

This certificate will remain valid as long as neither the harmonized standard, the construction product, the AVCP methods nor the manufacturing conditions in the plant are modified significantly unless suspended or withdrawn by the notified product certification body.

(This certificate supersedes the previous version of this certificate issued 2018-03-07)

This certificate was first issued 2018-03-07.

A handwritten signature in blue ink, appearing to read 'Per Lyster'.

Per Lyster  
Responsible for evaluation

A handwritten signature in blue ink, appearing to read 'Allan Laursen'.

Allan Laursen  
Responsible for certification decision

The certificate shall be reproduced in extenso  
– extracts only with written permission from DBI Certification A/S.

#### DBI Certification A/S

Jernholmen 12, 2650 Hvidovre  
Tlf.: 36 34 90 90

E-mail: info@dbicertification.dk  
www.dbicertification.dk

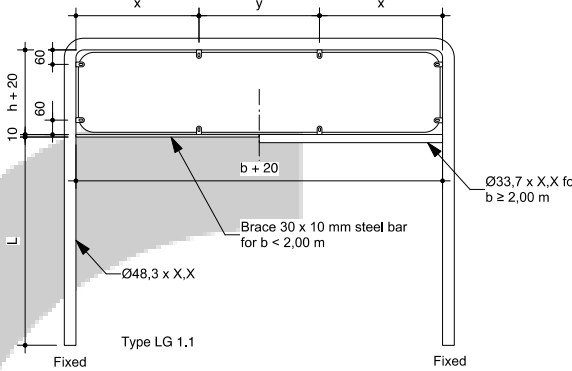
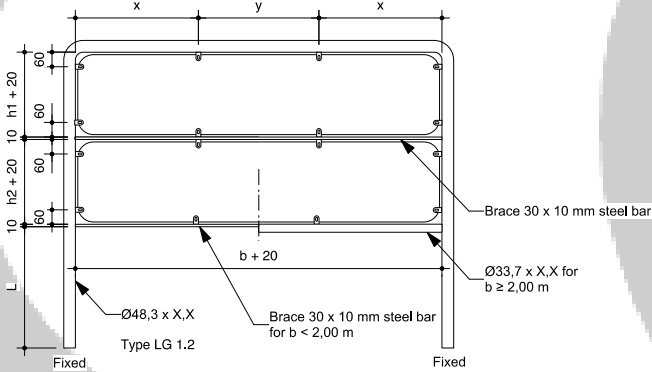
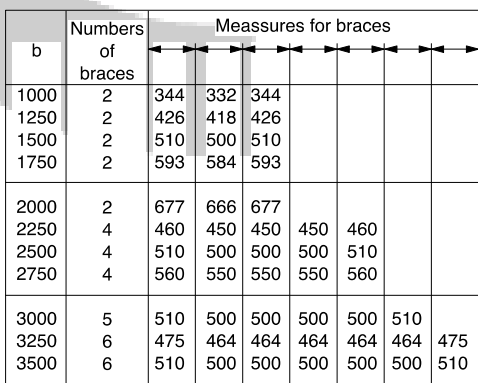
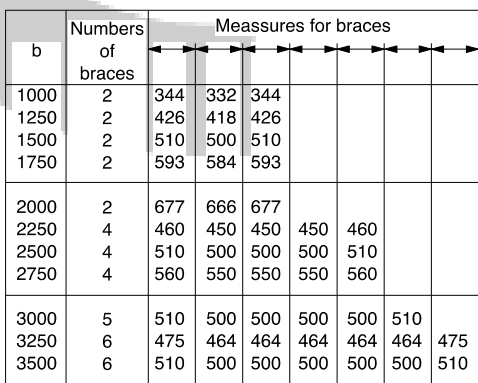
The logo for DANAK, featuring a red crown icon above the word 'DANAK' in a bold, sans-serif font, with 'Prod. Reg. Nr. 7023' written below it.

Prod. Reg. Nr. 7023

Version 2016-01-07  
Page 1 of 13

Annex 1  
**EXTENT**

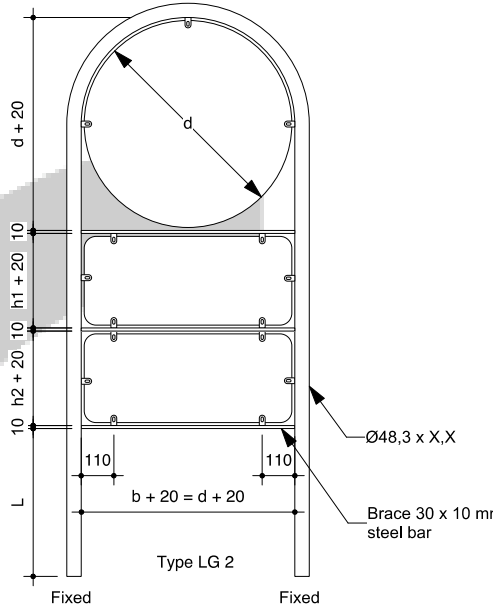
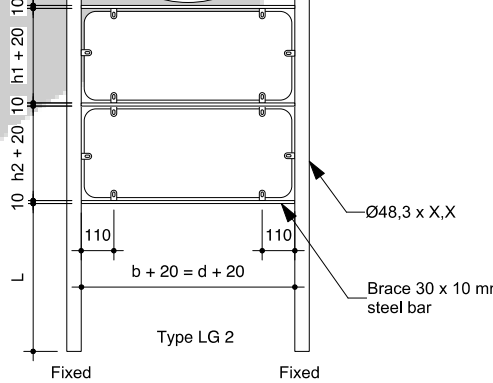
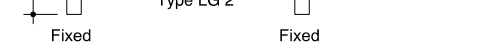
**Description and classification:**

<b>Sign, sizes and mounting system</b> Pipes: Minimum steel quality: S235 in dimension $\varnothing 33,7 \times 3,2$ , $\varnothing 48,3 \times 2,9$ , $\varnothing 48,3 \times 3,0$ and $\varnothing 48,3 \times 3,2$ mm Signboard: Minimum aluminium quality: $R_{p0,2} = 180$ MPa, min. 2 mm thickness		<b>Classification according to wind load classes</b>		
Placed in WL1	Placed in WL2	Placed in WL3		
 <p>Type LG 1.1</p>		$h \leq 500$ mm, $b \leq 2500$ mm and $L \leq 500$ mm		
PAF1, WL1, DSL0, PLO, TDB3, P2, E1 and SP1.	PAF1, WL2, DSL0, PLO, TDB3, P2, E1 and SP1.	PAF1, WL3, DSL0, PLO, TDB3, P2, E1 and SP1.		
 <p>Type LG 1.2</p>		$h_1 \leq 330$ mm, $b \leq 1750$ mm and $L \leq 500 + h_2 + 30$ mm		
PAF1, WL1, DSL0, PLO, TDB2, P2, E1 and SP1.	PAF1, WL2, DSL0, PLO, TDB3, P2, E1 and SP1.	PAF1, WL3, DSL0, PLO, TDB3, P2, E1 and SP1.		
		$h_1 \leq 330$ mm, $h_2 \leq 330$ mm, $b \leq 3000$ mm and $L \leq 500$ mm		
PAF1, WL1, DSL0, PLO, TDB3, P2, E1 and SP1.	PAF1, WL2, DSL0, PLO, TDB3, P2, E1 and SP1.	PAF1, WL3, DSL0, PLO, TDB4, P2, E1 and SP1.		
		$h_1 \leq 330$ mm, $h_2 \leq 330$ mm, $b \leq 3500$ mm and $L \leq 500$ mm		
PAF1, WL1, DSL0, PLO, TDB3, P2, E1 and SP1.	PAF1, WL2, DSL0, PLO, TDB4, P2, E1 and SP1.	X		

The certificate shall be reproduced in extenso  
 – extracts only with written permission from DBI Certification A/S.

# Certificate No.: 2531-CPR-CSC10023

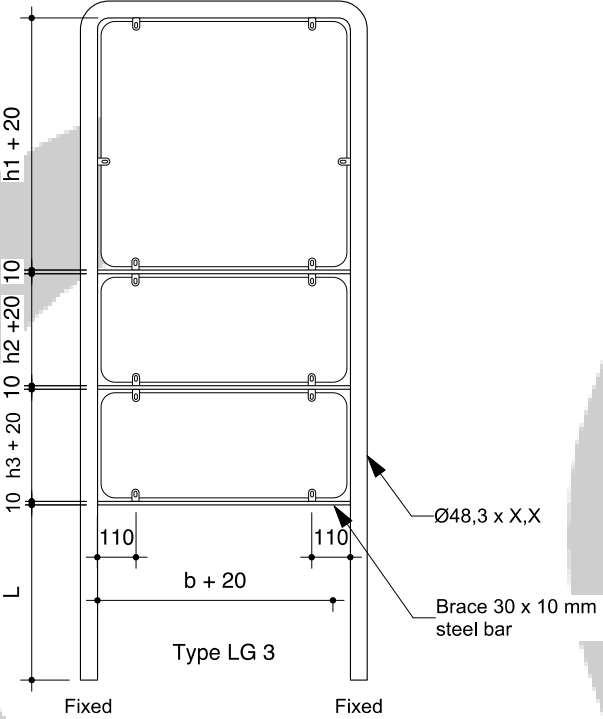
Issue date: 2018-05-02

<p align="center"><b>Sign, sizes and mounting system</b></p> <p>Pipes: Minimum steel quality: S235 in dimension  <math>\varnothing 33,7 \times 3,2</math>, <math>\varnothing 48,3 \times 2,9</math>, <math>\varnothing 48,3 \times 3,0</math> and <math>\varnothing 48,3 \times 3,2</math> mm                      Signboard: Minimum aluminium quality: <math>R_{p0,2} = 180</math> MPa,                      min. 2 mm thickness</p>	<p align="center"><b>Classification according to wind load classes</b></p>		
	Placed in WL1	Placed in WL2	Placed in WL3
	$d \leq 700$ mm and $L \leq h_1 + h_2 + 60 + 500$ mm		
	PAF1, WL1, DSL0, PLO, TDB3, P2, E1 and SP1.	PAF1, WL2, DSL0, PLO, TDB3, P2, E1 and SP1.	PAF1, WL3, DSL0, PLO, TDB3, P2, E1 and SP1.
	$d \leq 700$ mm, $h_1 \leq 300$ mm and $L \leq h_2 + 30 + 500$ mm		
	PAF1, WL1, DSL0, PLO, TDB3, P2, E1 and SP1.	PAF1, WL2, DSL0, PLO, TDB3, P2, E1 and SP1.	PAF1, WL3, DSL0, PLO, TDB3, P2, E1 and SP1.
	$d \leq 700$ mm, $h_1 \leq 300$ mm, $h_2 \leq 300$ mm and $L \leq 500$ mm		
	PAF1, WL1, DSL0, PLO, TDB3, P2, E1 and SP1.	PAF1, WL2, DSL0, PLO, TDB3, P2, E1 and SP1.	PAF1, WL3, DSL0, PLO, TDB3, P2, E1 and SP1.

The certificate shall be reproduced in extenso  
 – extracts only with written permission from DBI Certification A/S.

# Certificate No.: 2531-CPR-CSC10023

Issue date: 2018-05-02

<b>Sign, sizes and mounting system</b> Pipes: Minimum steel quality: S235 in dimension Ø33,7 x 3,2, Ø48,3 x 2,9, Ø48,3 x 3,0 and Ø48,3 x 3,2 mm Signboard: Minimum aluminium quality: $R_{p0,2} = 180$ MPa, min. 2 mm thickness		<b>Classification according to wind load classes</b>			
		Placed in WL1	Placed in WL2	Placed in WL3	
					h1 ≤ 700 mm, b ≤ 700 mm and L ≤ h2 + h3 + 60 + 500 mm
		PAF1, WL1, DSL0, PLO, TDB3, P2, E1 and SP1.	PAF1, WL2, DSL0, PLO, TDB3, P2, E1 and SP1.	PAF1, WL3, DSL0, PLO, TDB4, P2, E1 and SP1.	h1 ≤ 700 mm, h2 ≤ 300 mm, b ≤ 700 mm and L ≤ h3 + 30 + 500 mm
		PAF1, WL1, DSL0, PLO, TDB3, P2, E1 and SP1.	PAF1, WL2, DSL0, PLO, TDB3, P2, E1 and SP1.	PAF1, WL3, DSL0, PLO, TDB4, P2, E1 and SP1.	h1 ≤ 700 mm, h2 ≤ 300 mm, h3 ≤ 300 mm, b ≤ 700 mm and L ≤ 500 mm
		PAF1, WL1, DSL0, PLO, TDB3, P2, E1 and SP1.	PAF1, WL2, DSL0, PLO, TDB3, P2, E1 and SP1.	PAF1, WL3, DSL0, PLO, TDB4, P2, E1 and SP1.	

The certificate shall be reproduced in extenso  
 – extracts only with written permission from DBI Certification A/S.

# Certificate No.: 2531-CPR-CSC10023

Issue date: 2018-05-02



Resistance to horizontal loads		NPD			
Resistance to bending		NPD			
Resistance to torsion		NPD			
Fixings:		Pass. M6 Screws, nuts and washers M6: fy ≥ 320 MPa Pressure force for tightening: 2 kN			
Temporary deflection (supports) -bending -torsion		NPD			
Permanent deflection		NPD			
Performance under vehicle impact		NPD			
<b>ORALITE® 5710 Engineering Grade:</b>					
<b>Retroreflective sheeting ORALITE® 5710 Engineering Grade with the following original dyed colours:</b>					
Colour	Name of product	Visibility characteristics		Durability	
		Daylight Chromaticity & luminance factor 4.1.1.3. For black colours: 7.2.2.1.3	Coefficient of retroreflection 4.1.1.4	Impact resistance 4.1.2.	Resistance to weathering 4.1.1.5. For black colours: 7.2.2.1.4
White	ORALITE® 5710-010 Engineering Grade	CR2	RA1	pass	pass
Yellow	ORALITE® 5710-020 Engineering Grade	CR2	RA1	pass	pass
Red	ORALITE® 5710-030 Engineering Grade	CR2	RA1	pass	pass
Blue	ORALITE® 5710-050 Engineering Grade	CR2	RA1	pass	pass
Green	ORALITE® 5710-060 Engineering Grade	CR2	RA1	pass	pass
Orange	ORALITE® 5710-035 Engineering Grade	CR1	RA1	pass	pass
Brown	ORALITE® 5710-080 Engineering Grade	CR2	RA1	pass	pass
<b>Retroreflective sheeting ORALITE® 5710 engineering Grade with the following Lettering Film:</b>					
Black	ORALITE® 5071-070 Lettering Film	NR1	-	pass	pass
<b>Retroreflective sheeting ORALITE® 5710 engineering Grade with the following screen printing colours:</b>					
Yellow	ORALITE® 5018-020 Screen Printing ink	CR2	RA1	pass	pass
red	ORALITE® 5018-030 Screen Printing ink	CR2	RA1	pass	pass
blue	ORALITE® 5018-050 Screen Printing ink	CR2	RA1	pass	pass
Green	ORALITE® 5018-060 Screen Printing ink	CR2	RA1	pass	pass
black	ORALITE® 5018-070 Screen Printing ink	NR1	-	pass	pass

The certificate shall be reproduced in extenso  
– extracts only with written permission from DBI Certification A/S.



## DBI Certification A/S

Jernholmen 12, 2650 Hvidovre  
Tlf.: 36 34 90 90

E-mail: info@dbicertification.dk  
www.dbicertification.dk

Version 2016-01-07  
Page 5 of 13

# Certificate No.: 2531–CPR–CSC10023

Issue date: 2018-05-02



<b>Digital printing colours:</b>						
The digital printing is processed on white retroreflective sheeting with the digital printing system AGFA ANAPURNA M2050 High-Speed-UV-Inkjet-System and is to be laminated with the transparent laminate ORALITE® 5062-000 Transparent Film.						
<b>Digital Printing Colour ORALITE® 5019 UV Digital Printing Ink</b>						
On white sheeting	ORALITE® 5710-010 Engineering Grade and					
White	ORALITE® 5062-000 Transparent Film	CR2	RA1	pass	pass	
Yellow	ORALITE® 5019-020 UV Digital Printing Ink and ORALITE® 5062-000 Transparent Film	CR2	RA1	pass	pass	
Red	ORALITE® 5019-030 UV Digital Printing Ink and ORALITE® 5062-000 Transparent Film	CR2	RA1	pass	pass	
Blue	ORALITE® 5019-050 UV Digital Printing Ink and ORALITE® 5062-000 Transparent Film	CR2	RA1	pass	pass	
Green	ORALITE® 5019-060 UV Digital Printing Ink and ORALITE® 5062-000 Transparent Film	CR2	RA1	pass	pass	
Grey	ORALITE® 5019-625 UV Digital Printing Ink and ORALITE® 5062-000 Transparent Film	CR2	RA1	pass	pass	
Black	ORALITE® 5019-070 UV Digital Printing Ink and ORALITE® 5062-000 Transparent Film	NR1	-	pass	pass	
If the colour black is printed solely, this material combination is admitted to be used without the transparent laminate.						
Black	ORALITE® 5019-070 UV Digital Printing Ink	NR1	-	pass	pass	
<b>Digital printing colour ORALITE® 5019i UV Digital Printing Ink</b>						
On white sheeting	ORALITE® 5710-010 Engineering Grade and					
White	ORALITE® 5062-000 Transparent Film	CR2	RA1	pass	pass	
Yellow	ORALITE® 5019i-020 UV Digital Printing Ink and ORALITE® 5062-000 Transparent Film	CR2	RA1	pass	pass	
Red	ORALITE® 5019i-030 UV Digital Printing Ink and ORALITE® 5062-000 Transparent Film	CR2	RA1	pass	pass	
Blue	ORALITE® 5019i-050 UV Digital Printing Ink and ORALITE® 5062-000 Transparent Film	CR2	RA1	pass	pass	
Green	ORALITE® 5019i-060 UV Digital Printing Ink and ORALITE® 5062-000 Transparent Film	CR2	RA1	pass	pass	
Orange	ORALITE® 5019i-035 UV Digital Printing Ink and ORALITE® 5062-000 Transparent Film	CR1	RA1	pass	pass	
Brown	ORALITE® 5019i-080 UV Digital Printing Ink and ORALITE® 5062-000 Transparent Film	CR2	RA1	pass	pass	
Black	ORALITE® 5019i-070 UV Digital Printing Ink and ORALITE® 5062-000 Transparent Film	NR1	-	pass	pass	

The certificate shall be reproduced in extenso  
– extracts only with written permission from DBI Certification A/S.



**DBI Certification A/S**

Jernholmen 12, 2650 Hvidovre  
Tlf.: 36 34 90 90

E-mail: info@dbicertification.dk  
www.dbicertification.dk

Version 2016-01-07  
Page 6 of 13

# Certificate No.: 2531-CPR-CSC10023

Issue date: 2018-05-02



<b>Clear protective overlay film:</b>					
Clear protective overlay films (Anti-Graffiti) are always admitted in combination with retroreflective sheeting and a colouring process.					
<b>Anti-Graffiti:</b>					
The original dyed retroreflective sheeting with the screen-printing ORALITE <sup>®</sup> 5018 is accepted to be laminated with the clear protective overlay film ORALITE <sup>®</sup> 5095 Anti-Graffiti Film for the following colours:					
Original dyed retroreflective sheeting ORALITE <sup>®</sup> 5710 Engineering Grade with screen-printing ORALITE <sup>®</sup> 5018					
Red	ORALITE <sup>®</sup> 5018-030 Screen Printing Ink and ORALITE <sup>®</sup> 5095 Anti-Graffiti Film	CR2	RA1	pass	pass
Blue	ORALITE <sup>®</sup> 5018-050 Screen Printing Ink and ORALITE <sup>®</sup> 5095 Anti-Graffiti Film	CR2	RA1	pass	pass
Black	ORALITE <sup>®</sup> 5018-070 Screen Printing Ink and ORALITE <sup>®</sup> 5095 Anti-Graffiti Film	NR1	-	pass	pass
<b>ORALITE<sup>®</sup> 5810 High Intensity Grade:</b>					
<b>Retroreflective sheeting ORALITE<sup>®</sup> 5810 High Intensity Grade with the following original dyed colours:</b>					
Colour	Name of product	Visibility characteristics		Durability	
		Daylight Chromaticity & luminance factor 4.1.1.3. For black colours: 7.2.2.1.3	Coefficient of retroreflection 4.1.1.4	Impact resistance 4.1.2.	Resistance to weathering 4.1.1.5. For black colours: 7.2.2.1.4
White	ORALITE <sup>®</sup> 5810-010 High Intensity Grade	CR2	RA2	pass	pass
Yellow	ORALITE <sup>®</sup> 5810-020 High Intensity Grade	CR2	RA2	pass	pass
Red	ORALITE <sup>®</sup> 5810-030 High Intensity Grade	CR2	RA2	pass	pass
Blue	ORALITE <sup>®</sup> 5810-050 High Intensity Grade	CR2	RA2	pass	pass
Green	ORALITE <sup>®</sup> 5810-060 High Intensity Grade	CR2	RA2	pass	pass
Brown	ORALITE <sup>®</sup> 5810-080 High Intensity Grade	CR2	RA2	pass	pass
<b>Retroreflective sheeting ORALITE<sup>®</sup> 5810 High Intensity Grade with the following Lettering Film:</b>					
Black	ORALITE <sup>®</sup> 5081-070 Lettering Film	NR1	-	pass	pass
<b>Retroreflective sheeting ORALITE<sup>®</sup> 5810 High Intensity Grade with the following Coloured Laminates:</b>					
Yellow	ORALITE <sup>®</sup> 5061-020 Transparent Film	CR2	RA2	pass	pass
Red	ORALITE <sup>®</sup> 5061-030 Transparent Film	CR2	RA2	pass	pass
Blue	ORALITE <sup>®</sup> 5061-050 Transparent Film	CR2	RA2	pass	pass
Green	ORALITE <sup>®</sup> 5061-060 Transparent Film	CR2	RA2	pass	pass
Brown	ORALITE <sup>®</sup> 5061-080 Transparent Film	CR2	RA2	pass	pass
Dark Green	ORALITE <sup>®</sup> 5061-625 Transparent Film	CR1	RA2	pass	pass

The certificate shall be reproduced in extenso  
 – extracts only with written permission from DBI Certification A/S.



**DBI Certification A/S**

Jernholmen 12, 2650 Hvidovre  
 Tlf.: 36 34 90 90

E-mail: info@dbicertification.dk  
 www.dbicertification.dk

Version 2016-01-07  
 Page 7 of 13

# Certificate No.: 2531–CPR–CSC10023

Issue date: 2018-05-02



<b>Retroreflective sheeting ORALITE® 5810 High Intensity Grade with the following Screen Printing Colours:</b>					
Yellow	ORALITE® 5018-020 Screen Printing Ink	CR2	RA2	pass	pass
Red	ORALITE® 5018-030 Screen Printing Ink	CR2	RA2	pass	pass
Blue	ORALITE® 5018-050 Screen Printing Ink	CR2	RA2	pass	pass
Green	ORALITE® 5018-060 Screen Printing Ink	CR2	RA2	pass	pass
Black	ORALITE® 5018-070 Screen Printing Ink	NR1	-	pass	pass
<b>Digital Printing Colours:</b>					
<b>Digital Printing Colour ORALITE® 5019 UV Digital Printing Ink</b>					
The digital printing is processed on white retroreflective sheeting with the digital printing system AGFA ANAPURNA M2050 High-Speed-UV-Inkjet-System and is to be laminated with a transparent laminate.					
<b>Digital Printing with protective laminate ORALITE® 5061-000 Transparent Film</b>					
On white sheeting	ORALITE® 5810-010 High Intensity Grade and				
White	ORALITE® 5061-000 Transparent Film	CR2	RA2	pass	pass
Yellow	ORALITE® 5019-020 UV Digital Printing Ink and ORALITE® 5061-000 Transparent Film	CR2	RA2	pass	pass
Red	ORALITE® 5019-030 UV Digital Printing Ink and ORALITE® 5061-000 Transparent Film	CR2	RA2	pass	pass
Blue	ORALITE® 5019-050 UV Digital Printing Ink and ORALITE® 5061-000 Transparent Film	CR2	RA2	pass	pass
Green	ORALITE® 5019-060 UV Digital Printing Ink and ORALITE® 5061-000 Transparent Film	CR2	RA2	pass	pass
Brown	ORALITE® 5019-080 UV Digital Printing Ink and ORALITE® 5061-000 Transparent Film	CR2	RA2	pass	pass
Dark Green	ORALITE® 5019-625 UV Digital Printing Ink and ORALITE® 5061-000 Transparent Film	CR2	RA2	pass	pass
Grey	ORALITE® 5019-073 UV Digital Printing Ink and ORALITE® 5061-000 Transparent Film	CR2	RA2*	pass	pass
*Coefficient of retroreflection: Value for printed colours 70% of RA2					
Black	ORALITE® 5019-070 UV Digital Printing Ink and ORALITE® 5061-000 Transparent Film	NR1	-	pass	pass

The certificate shall be reproduced in extenso  
 – extracts only with written permission from DBI Certification A/S.



## DBI Certification A/S

Jernholmen 12, 2650 Hvidovre  
 Tlf.: 36 34 90 90

E-mail: info@dbicertification.dk  
 www.dbicertification.dk

Version 2016-01-07  
 Page 8 of 13



# Certificate No.: 2531–CPR–CSC10023

Issue date: 2018-05-02



<b>Digital Printing with protective laminate ORALITE® 5090 Anti-Dew Film:</b>						
On white sheeting	ORALITE® 5810-010 High Intensity Grade and					
White	ORALITE® 5090 Anti-Dew Film	CR2	RA2	pass	pass	
Yellow	ORALITE® 5019-020 UV Digital Printing Ink and ORALITE® 5090 Anti-Dew Film	CR2	RA2	pass	pass	
Red	ORALITE® 5019-030 UV Digital Printing Ink and ORALITE® 5090 Anti-Dew Film	CR2	RA2	pass	pass	
Blue	ORALITE® 5019-050 UV Digital Printing Ink and ORALITE® 5090 Anti-Dew Film	CR2	RA2*	pass	pass	
Green	ORALITE® 5019-060 UV Digital Printing Ink and ORALITE® 5090 Anti-Dew Film	CR2	RA2*	pass	pass	
Brown	ORALITE® 5019-080 UV Digital Printing Ink and ORALITE® 5090 Anti-Dew Film	CR2	RA2	pass	pass	
Dark Green	ORALITE® 5019-625 UV Digital Printing Ink and ORALITE® 5090 Anti-Dew Film	CR2	RA2	pass	pass	
Grey	ORALITE® 5019-073 UV Digital Printing Ink and ORALITE® 5090 Anti-Dew Film	CR2	RA2	pass	pass	
*Coefficient of retroreflection: Value for printed colours 70% of RA2						
Black	ORALITE® 5019-070 UV Digital Printing Ink and ORALITE® 5090 Anti-Dew Film	NR1	-	pass	pass	
<b>Digital Printing with protective laminate ORALITE® 5095 Anti-Graffiti Film:</b>						
On white sheeting	ORALITE® 5810-010 High Intensity Grade and					
White	ORALITE® 5095 Anti-Graffiti Film	CR2	RA2	pass	pass	
Yellow	ORALITE® 5019-020 UV Digital Printing Ink and ORALITE® 5095 Anti-Graffiti Film	CR2	RA2	pass	pass	
Red	ORALITE® 5019-030 UV Digital Printing Ink and ORALITE® 5095 Anti-Graffiti Film	CR2	RA2	pass	pass	
Blue	ORALITE® 5019-050 UV Digital Printing Ink and ORALITE® 5095 Anti-Graffiti Film	CR2	RA2*	pass	pass	
Green	ORALITE® 5019-060 UV Digital Printing Ink and ORALITE® 5095 Anti-Graffiti Film	CR2	RA2*	pass	pass	
Braun	ORALITE® 5019-080 UV Digital Printing Ink and ORALITE® 5095 Anti-Graffiti Film	CR2	RA2	pass	pass	
Grey	ORALITE® 5019-073 UV Digital Printing Ink and ORALITE® 5095 Anti-Graffiti Film	CR2	RA2	pass	pass	
*Coefficient of retrorefelction: Value for printed colours 70% of RA2						
Black	ORALITE® 5019-070 UV Digital Printing Ink and ORALITE® 5095 Anti-Graffiti Film	NR1	-	pass	pass	
If the colour Black is printed solely, this material combination is admitted to be used without the transparent laminate						
Black	ORALITE® 5019-070 UV Digital Printing Ink	NR1	-	pass	pass	

The certificate shall be reproduced in extenso  
 – extracts only with written permission from DBI Certification A/S.



**DBI Certification A/S**

Jernholmen 12, 2650 Hvidovre  
 Tlf.: 36 34 90 90

E-mail: info@dbicertification.dk  
 www.dbicertification.dk

Version 2016-01-07  
 Page 9 of 13

# Certificate No.: 2531-CPR-CSC10023

Issue date: 2018-05-02



<b>Digital Printing Colour ORALITE® 5019i UV Digital Printing Ink:</b>					
The digital printing is processed on white retroreflective sheeting with the digital printing system AGFA ANAPURNA M2050 High-Speed-UV-Inkjet-System and is to be laminated with the transparent laminate ORALITE® 5061-000 Transparent Film					
On white sheeting	ORALITE® 5810-010 High Intensity Grade and				
White	ORALITE® 5061-000 Transparent Film	CR2	RA2	pass	pass
Yellow	ORALITE® 5019i-020 UV Digital Printing Ink and ORALITE® 5061-000 Transparent Film	CR2	RA2	pass	pass
Red	ORALITE® 5019i-030 UV Digital Printing Ink and ORALITE® 5061-000 Transparent Film	CR2	RA2	pass	pass
Blue	ORALITE® 5019i-050 UV Digital Printing Ink and ORALITE® 5061-000 Transparent Film	CR2	RA2	pass	pass
Green	ORALITE® 5019i-060 UV Digital Printing Ink and ORALITE® 5061-000 Transparent Film	CR2	RA2	pass	pass
Brown	ORALITE® 5019i-080 UV Digital Printing Ink and ORALITE® 5061-000 Transparent Film	CR2	RA2	pass	pass
Dark Green	ORALITE® 5019i-625 UV Digital Printing Ink and ORALITE® 5061-000 Transparent Film	CR2	RA2	pass	pass
Grey	ORALITE® 5019i-073 UV Digital Printing Ink and ORALITE® 5061-000 Transparent Film	CR2	RA2	pass	pass
Black	ORALITE® 5019i-070 UV Digital Printing Ink and ORALITE® 5061-000 Transparent Film	NR1	-	pass	pass
<b>Clear overlay film with special function:</b>					
Clear overlay films with special function (anti-dew and anti-graffiti) are always admitted in combination with a dyed sheeting and a colouring process.					
<b>Anti Dew:</b>					
The dyed sheeting and the combination with coloured laminates is accepted to be processed with the clear overlay film anti-dew function ORALITE® 5090 Anti-Dew film for the following colours:					
<b>Dyed Retroreflective Sheeting:</b>					
White	ORALITE® 5810-010 High Intensity Grade and ORALITE® 5090 Anti-Dew film	CR2	RA2	pass	pass
Yellow	ORALITE® 5810-020 High Intensity Grade and ORALITE® 5090 Anti-Dew film	CR2	RA2	pass	pass
Red	ORALITE® 5810-030 High Intensity Grade and ORALITE® 5090 Anti-Dew film	CR2	RA2	pass	pass
Blue	ORALITE® 5810-050 High Intensity Grade and ORALITE® 5090 Anti-Dew film	CR2	RA2	pass	pass
<b>Dyed Retroreflective Sheeting ORALITE® 5810 High Intensity Grade with Coloured Laminate:</b>					
Yellow	ORALITE® 5061-020 Transparent Film and ORALITE® 5090 Anti-Dew film	CR2	RA2	pass	pass
Red	ORALITE® 5061-030 Transparent Film and ORALITE® 5090 Anti-Dew film	CR2	RA2	pass	pass
Blue	ORALITE® 5061-050 Transparent Film and ORALITE® 5090 Anti-Dew film	CR2	RA2	pass	pass

The certificate shall be reproduced in extenso  
 – extracts only with written permission from DBI Certification A/S.



**DBI Certification A/S**

Jernholmen 12, 2650 Hvidovre  
 Tlf.: 36 34 90 90

E-mail: info@dbicertification.dk  
 www.dbicertification.dk

Version 2016-01-07  
 Page 10 of 13

# Certificate No.: 2531–CPR–CSC10023

Issue date: 2018-05-02

<b>Dyed Retroreflective Sheeting ORALITE® 5810 High Intensity Grade with Lettering film:</b>					
Black	ORALITE® 5081-070 Lettering Film and ORALITE® 5090 Anti-Dew film	NR1	-	pass	pass
<b>Anti-Graffiti:</b> The dyed sheeting and the combination with coloured laminates is accepted to be processed with the clear overlay film with anti-graffiti function ORALITE® 5095 Anti Graffiti Film for the following colours.					
<b>Dyed Retroreflective Sheeting:</b>					
White	ORALITE® 5810-010 High Intensity Grade and ORALITE® 5095 Anti-Graffiti Film	CR2	RA2	pass	pass
Yellow	ORALITE® 5810-020 High Intensity Grade and ORALITE® 5095 Anti-Graffiti Film	CR2	RA2	pass	pass
Red	ORALITE® 5810-030 High Intensity Grade and ORALITE® 5095 Anti-Graffiti Film	CR2	RA2	pass	pass
Blue	ORALITE® 5810-050 High Intensity Grade and ORALITE® 5095 Anti-Graffiti Film	CR2	RA2	pass	pass
<b>Dyed Retroreflective Sheeting ORALITE® 5810 High Intensity Grade with Coloured Laminate:</b>					
Yellow	ORALITE® 5061-020 Transparent Film and ORALITE® 5095 Anti-Graffiti Film	CR2	RA2	pass	pass
Red	ORALITE® 5061-030 Transparent Film and ORALITE® 5095 Anti-Graffiti Film	CR2	RA2	pass	pass
Blue	ORALITE® 5061-050 Transparent Film and ORALITE® 5095 Anti-Graffiti Film	CR2	RA2	pass	pass
<b>Dyed Retroreflective Sheeting ORALITE® 5810 High Intensity Grade with Lettering Film:</b>					
Black	ORALITE® 5081-070 Lettering Film and ORALITE® 5095 Anti-Graffiti Film	NR1	-	pass	pass

The certificate shall be reproduced in extenso  
– extracts only with written permission from DBI Certification A/S.

## DBI Certification A/S

Jernholmen 12, 2650 Hvidovre  
Tlf.: 36 34 90 90

E-mail: info@dbicertification.dk  
www.dbicertification.dk

# Certificate No.: 2531-CPR-CSC10023

Issue date: 2018-05-02



<b>External illumination:</b>		
mean illuminance,		NPD
uniformity of illuminance		NPD
<b>Corrosion resistance</b>		
Steel pipes and fins		Minimum S235 SP1 The pipe and fins are after manufacturing hot dip galvanized to a minimum of 60µm
Screws, nuts and washers		M6: fy ≥ 320 MPa Stainless steel SP2 or anodized aluminum SP1
Aluminium plate		Minimum Rp0,2 ≥ 180 MPa SP1 Lacquered Al-plate on exposed side if any
Resistance to penetration of dust and water		NPD  The product cannot be provided with compartments for electrical equipment

The certificate shall be reproduced in extenso  
– extracts only with written permission from DBI Certification A/S.

## DBI Certification A/S

Jernholmen 12, 2650 Hvidovre  
Tlf.: 36 34 90 90

E-mail: [info@dbicertification.dk](mailto:info@dbicertification.dk)  
[www.dbicertification.dk](http://www.dbicertification.dk)



Version 2016-01-07  
Page **12** of **13**

Annex 2

## TECHNICAL BASIS

Title	Date
Infra Group danmark ApS Calculation of minor traffic signs (ITC) Shapes and sizes for signs mounted in gallows type LG Revision 02	March 2018
Retroreflective Sheetings 5710 Engineering grade: 0913-CPD-2009/001 Annex	2009-03-17 2016-03-31
Retroreflective Sheeting Oralite 5810 High Intensity grade: 0913-CPD-2009/035 Annex	2012-06-27 2016-03-31
Addendum to Calculation of minor traffic signs (ITC) Shapes and Sizes for Signs Mounted in gallows Type LG 1 <sup>st</sup> . edition	December 2017

The certificate shall be reproduced in extenso  
– extracts only with written permission from DBI Certification A/S.

### DBI Certification A/S

Jernholmen 12, 2650 Hvidovre  
Tlf.: 36 34 90 90

E-mail: [info@dbicertification.dk](mailto:info@dbicertification.dk)  
[www.dbicertification.dk](http://www.dbicertification.dk)



DANAK  
Prod. Reg. Nr. 7023

Version 2016-01-07  
Page **13** of **13**